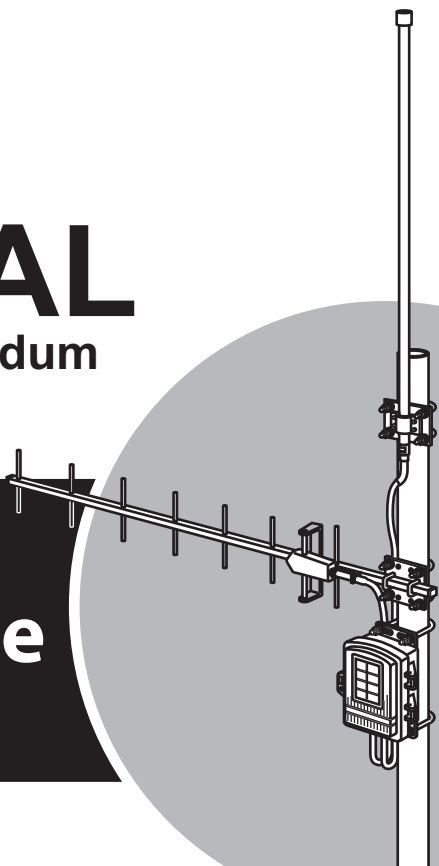


# USER MANUAL

Installation Addendum

## Long Range Repeater



For Vantage Pro2™, Vantage Pro2 Plus™, Vantage Vue®,  
Envoy8X™, Weather Envoy™, and Vantage Connect®

Product Number 7654 for use with antennas 7656 & 7660

**DAVIS** ®

Davis Instruments, 3465 Diablo Avenue, Hayward, CA 94545-2778 U.S.A. • 510-732-9229 • [www.davisnet.com](http://www.davisnet.com)

### **FCC Part 15 Class B Registration Warning**

This equipment has been tested and found to comply with the limits for a Class B digital device, pursuant to Part 15 of the FCC Rules. These limits are designed to provide reasonable protection against harmful interference in a residential installation. This equipment generates, uses, and can radiate radio frequency energy and, if not installed and used in accordance with the instructions, may cause harmful interference to radio communications.

However, there is no guarantee that interference will not occur in a particular installation. If this equipment does cause harmful interference to radio or television reception, which can be determined by turning the equipment on and off, the user is encouraged to try to correct the interference by one or more of the following measures:

- Reorient or relocate the receiving antenna.
- Increase the separation between the equipment and receiver.
- Connect the equipment into an outlet on a circuit different from that to which the receiver is connected.
- Consult the dealer or an experienced radio/TV technician for help.

Changes or modification not expressly approved in writing by Davis Instruments may void the warranty and void the user's authority to operate this equipment.

FCC ID: IRDWW765Y

IC: 3788A-765Y

### **EC EMC Compliance**

This product complies with the essential protection requirements of the EC EMC Directive 2004/108/EC, as tested to the following directives:

- ETSI EN 300 220
- ETSI EN 301 489

This device has been designed to operate with an antenna having a maximum gain of 11 dBi. Antennas having a higher gain are strictly prohibited per regulations of Industry Canada. The required antenna impedance is 50 ohms. To reduce potential radio interference to other users, the antenna type and its gain should be chosen that the equivalent isotropically radiated power (EIRP) is not more than that required for successful communication.

# Welcome!

---

The Long Range Repeater can be used with any wireless Vantage Pro2™ or Vantage Vue transmitting station to re-transmit to a Vantage Pro2 compatible receiver (Vantage Pro2 or Vantage Vue console; Vantage Connect, Weather Envoy or Envoy8X, or a standard Wireless Repeater). The Long Range Repeater works in much the same way as the Vantage Pro2 wireless repeater, but extends the distance between a repeater and a receiver by up to 10 times that of the standard Vantage Pro2 wireless repeater (#7626/7627).

## Long Repeater Addendum Overview

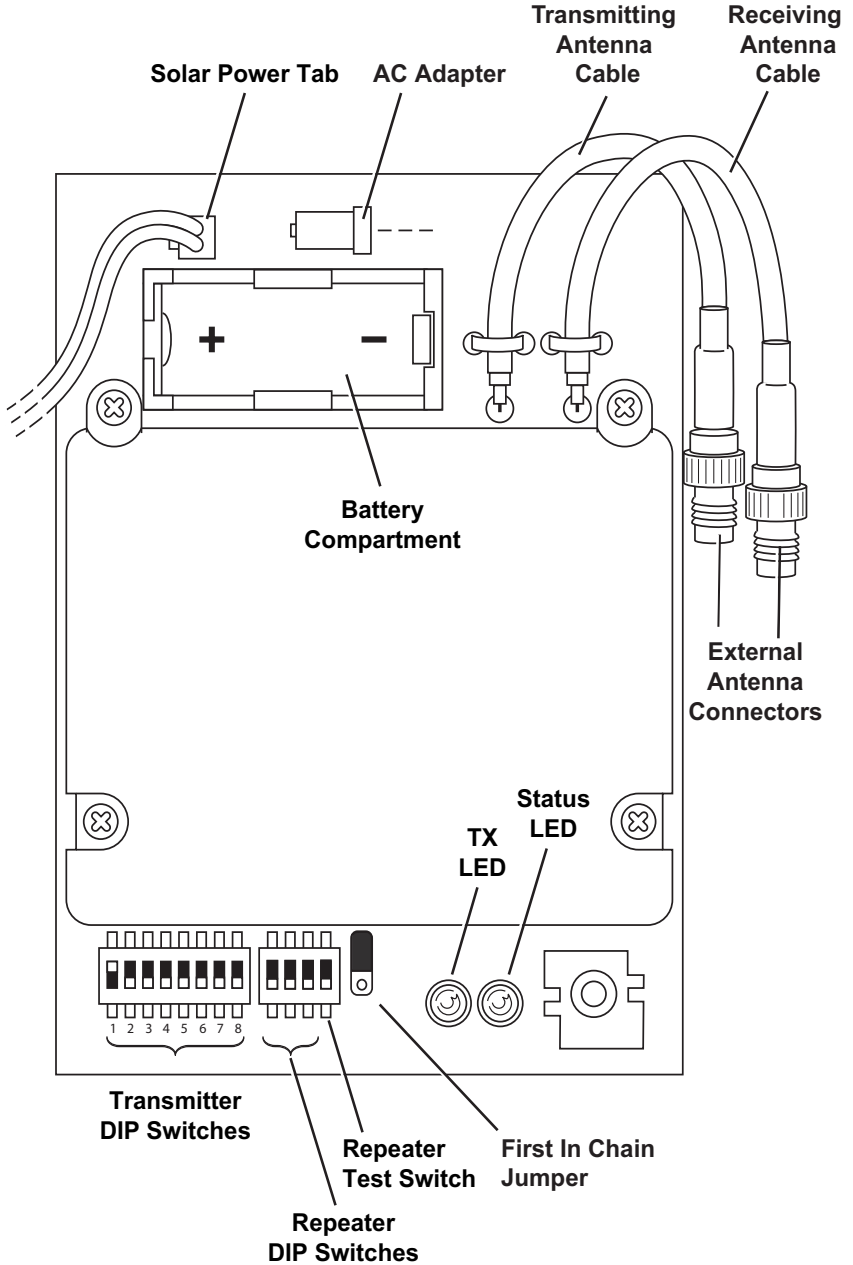
This addendum provides additional information specific to the installation and use of the Long Range Repeaters and is intended to be used in conjunction with the Wireless Repeater Installation Manual. The table below shows the location of the information required to install and maintain your Long Range Repeaters:

Section/Procedure	This Addendum	Wireless Repeater Manual
Components and Hardware		X
Repeater Board Contents	X	X
Additional Antenna Components and Hardware	X	
Tools for Setup		X
Additional Tools for Setup	X	
Wireless Repeater Introduction		X
Repeater Configurations/Architecture		X
Long Range Repeater Antenna Configuration	X	
Applying Power		X
Single Repeater Installation		X
Advanced Repeater Installation		X
Mounting Long Range Wireless Repeater and Antennas	X	
Connecting External Antennas to the Repeater	X	
Console and WeatherLink Configuration		X
Repeater Communication Troubleshooting		X
Long Range Repeater Specification	X	

---

# Repeater Board Contents

The board contained within the repeater enclosure has the following contents:



---

The components unique to the Long Range Repeater board are:

- **Transmitting Antenna Cable** — Connects the repeater to the external transmitting antenna.
- **Receiving Antenna Cable** — Connects the repeater to the external antenna receiving a station or repeater signal.

### **Additional Tools for Setup**

In addition to the tools required for standard wireless repeater installation, the following additional tool is required to set up and install the long range repeater:

- Socket wrench with 1/2" socket

---

# Long Range Repeater Hardware

Each long range repeater requires TWO external antennas: one for receiving from a transmitting station or wireless repeater, and one for transmitting the data to another repeater or receiver. The two external antenna choices are:

- Omni-direction, product number 7656
- Yagi (directional) antenna, product number 7660

You must purchase external antennas appropriate to your network architecture requirements

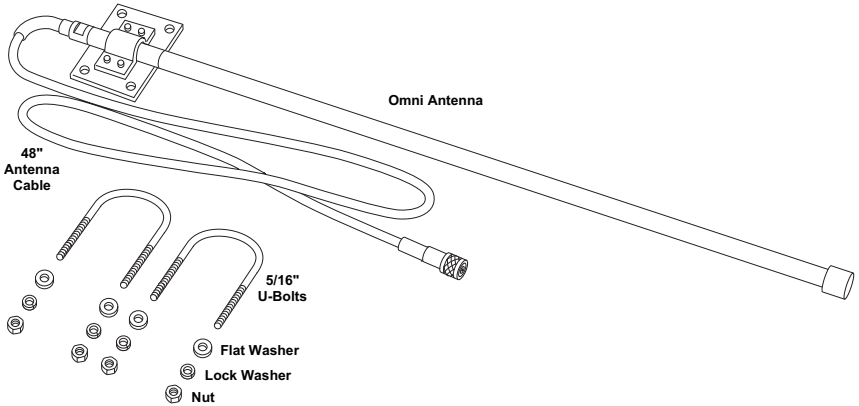
---

**Note:** Davis Instruments sells FCC Type approved antennas for the long range repeater. These antennas are available for US customers only. US customer MUST use Davis antennas. Overseas customers are responsible for procuring their own long range antennas for use with the long range wireless repeater that comply with local regulations. See "Specifications" on page 13 for more information.

---

## Omni Antenna

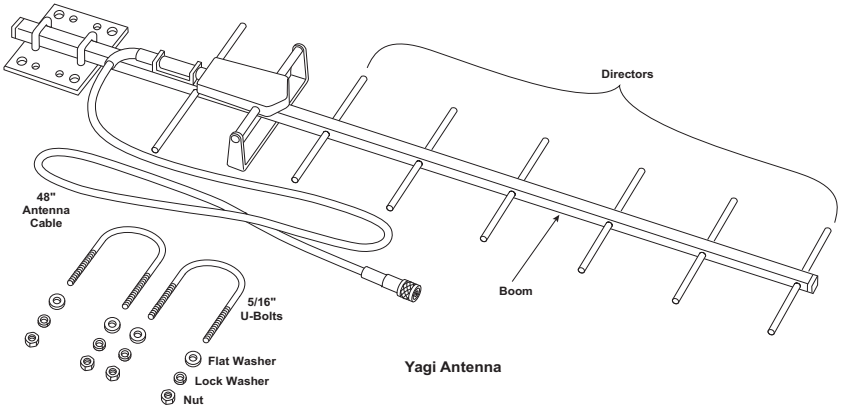
The omni-direction antenna includes the omni-directional antenna and mounting hardware:



---

## Yagi (Directional) Antenna

The Yagi antenna includes the directional antenna and mounting hardware:



## External Antenna Types

The Omni and Yagi antennas transmit and receive with two different radiation patterns.

### External Antenna Radiation Patterns

(Top View)

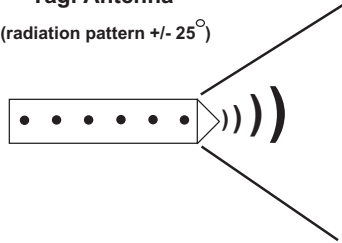
#### Omni-Direction Antenna

(radiation pattern 360°)



#### Yagi Antenna

(radiation pattern +/- 25°)



The Davis long-range omni antenna transmits and receives data in a radiation pattern of 360°, the same radiation pattern as a standard Vantage Pro2 dipole antenna. The Yagi antenna transmits and receives data packets in a 50° beam of the front of the Yagi antenna. The antenna is limited in the angle and direction it can transmit and receive packets, but it increases the distance between transmitter, repeater, and receiver proportionally.

All wireless Davis Instruments stations and standard wireless repeaters come equipped with standard dipole antennas that have an omni-directional radiation pattern.

It is important to remember that each long-range repeater will have two antennas. You can think of one as the “microphone,” to receive data; and the other as the “speaker” to transmit data. The two antennas do not have to be the same. It is important to keep in mind which is the “microphone” and which is the “speaker.”

---

To determine which antenna or antenna combination is needed for your network:

- The Yagi antenna is the most powerful and will give the longest range. However, you can only use it if the data is being received from or transmitted to stations within a 50° angle of the antenna.
- You should use the omni antenna if receiving or transmitting in multiple directions.

---

Note: The best Yagi antenna performance is always achieved by pointing the antenna directly at the antenna at the other end of the link

---

## Antenna Ranges

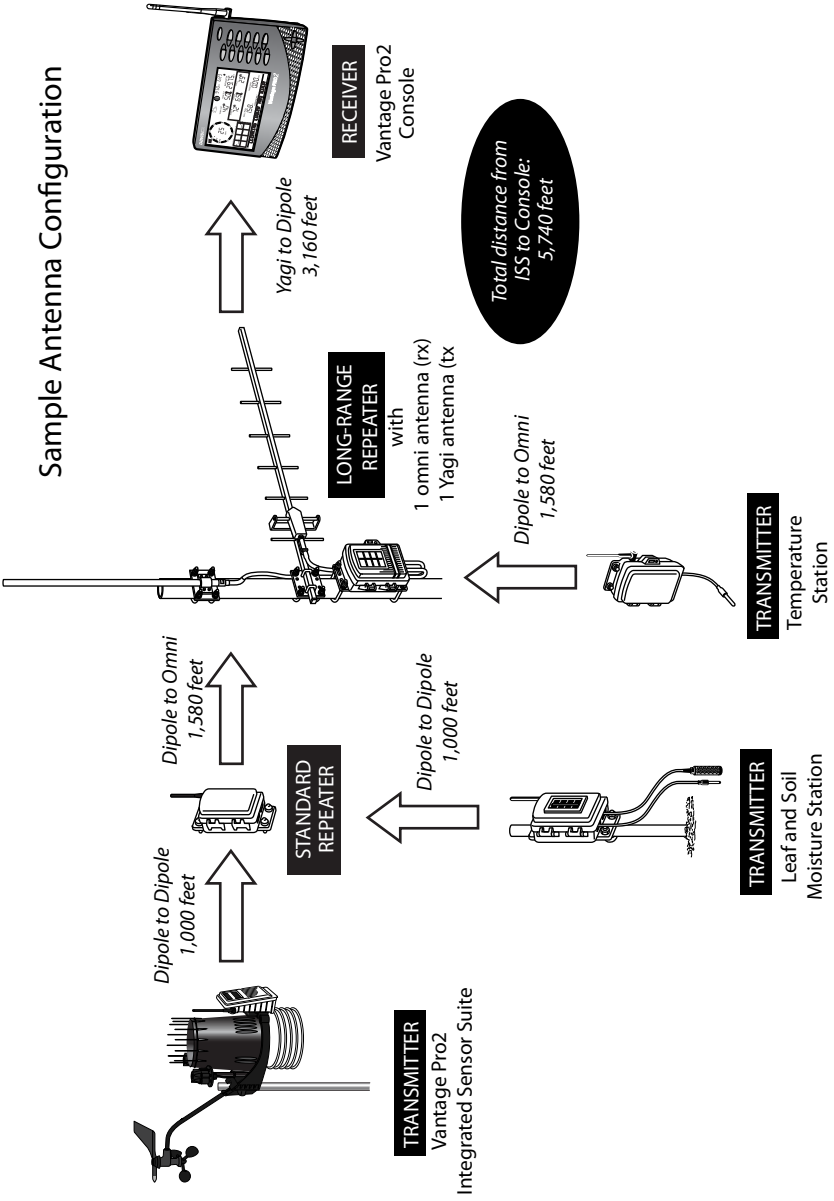
Each antenna type in a repeater network varies in the distances it can receive and transmit data. For instance, the dipole antenna on an integrated sensor suite transmitting to a dipole antenna on a console is limited to 1000'. A dipole transmitting to an omni antenna lengthens the distance to 1580' because the omni has a better "microphone." A Yagi antenna has an even stronger "microphone" and can "hear" a dipole antenna up to 3,160 feet. The table below shows the total distances of each antennas (receiver and transmitter) combination. (Examples of dipole antennas are Vantage Pro2 or Vantage Vue integrated sensor suites and consoles, Envoy, Vantage Connect, standard wireless repeaters, Leaf Wetness and Soil Moisture stations, Wireless Temperature Stations, etc.).

<b>Antenna Pair</b>	<b>Maximum Transmission Distance <i>Under optimal conditions</i></b>	
<b>Dipole - Dipole</b>	1000 feet 300 meters	0.2 miles 0.3 km
<b>Dipole - Omni</b>	1,580 feet 480 meters	0.3 miles 0.5 km
<b>Dipole - Yagi</b>	3,160 feet 960 meters	0.6 miles 1 km
<b>Omni - Omni</b>	2,500 feet 760 meters	0.5 miles 0.8 km
<b>Omni - Yagi</b>	5,000 feet 1542 meters	1 mile 1.5 km
<b>Yagi - Yagi</b>	10,000 3,000 meters	2 miles 3 km



# Antenna Configurations

When designing your system, consider the need for increased range as well as the need for directionality. Keep in mind which antenna on your long-range repeater is the receiving antenna and which is the transmitting antenna. Below is an example of a system that uses a standard repeater and a long-range repeater with an omni antenna receiving and a Yagi antenna transmitting.



---

# Mounting the Repeater and External Antennas

The antenna configuration and long-range repeater can be mounted on a pole. Use the provided U-bolts for the wireless repeater and the U-bolts provided for each antenna type to install them all to a pole.

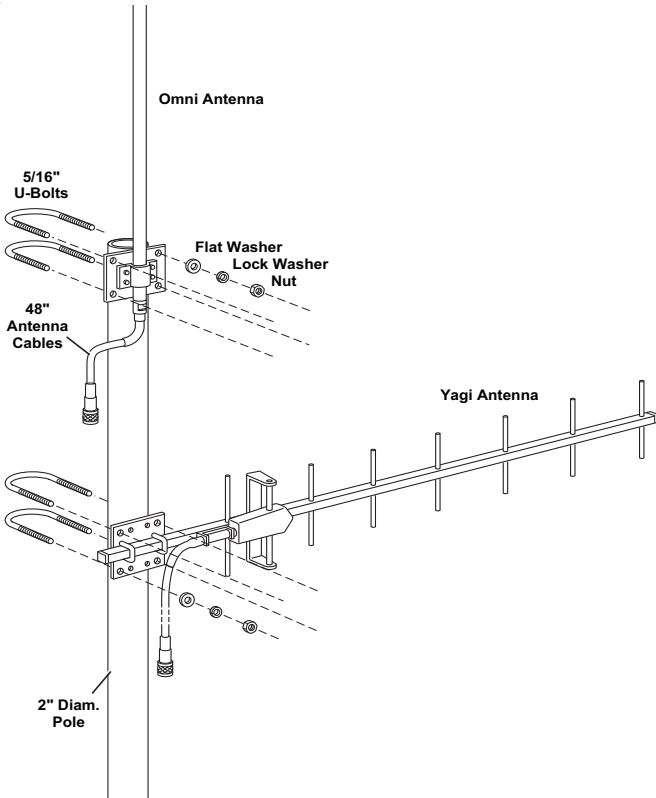
---

**Note:** To accommodate your antenna configuration (omni and Yagi or Yagi and Yagi), mount the antennas first before mounting the wireless repeater enclosure.

---

## Omni and Yagi Antenna Combination Assembly

The omni and Yagi combination assembly should be performed from the bottom antenna (Yagi) up to the top antenna (Omni) so that the omni antenna can be installed flush to the top of the pole.



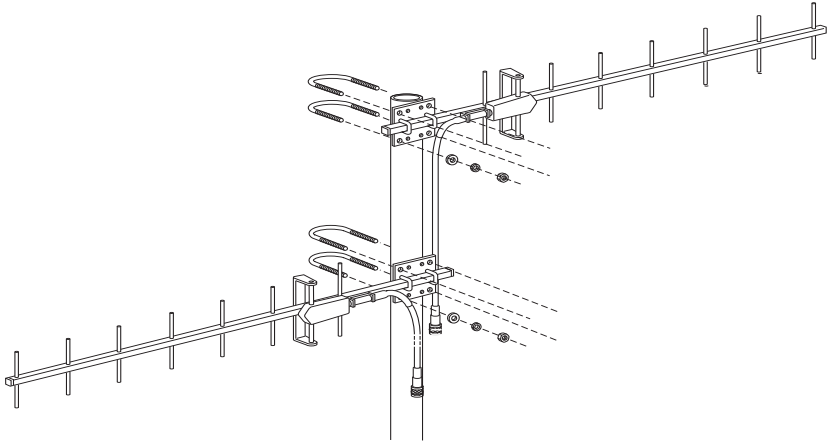
1. Place the Yagi on the pole.
2. Place a U-bolt around the pole and through the two holes at the top and of the antenna plate.
3. Place a flat washer, a lock washer and a hex nut on each of the bolt ends.

- 
4. Using an adjustable wrench or 1/2" wrench, tighten the nuts.
  5. Place the second U-bolt around the pole and through the two holes at the bottom of the shelter.
  6. Put a flat washer, a lock washer, and a hex nut on each bolt end, and tighten the hex nuts so that the Yagi remains in place, but can still be adjusted.
  7. If the Yagi antenna is the receiving antenna, rotate it so that it points in the direction of the transmitting station (such as the ISS or a repeater). If it is the transmitting antenna, rotate it so that it points at the receiver (such as a repeater or console). The antenna should also be installed so that the directors, the smaller cross bars on the boom, are parallel with the omni antenna.
  8. Tighten the hex nuts so that the Yagi is firmly attached.
  9. Place the omni antenna a distance above the Yagi antenna, providing space between the mounted antennas.  
Ideally, omni antenna should be mounted flush with the very top of the pole, so that the pole does not interfere with the antenna's communication.
  10. While holding the omni antenna against the pole, place a U-bolt around the pole and through the two holes at the top and of the antenna plate.
  11. Place a flat washer, a lock washer and a hex nut on each of the bolt ends.
  12. Using an adjustable wrench or 1/2" wrench, tighten the nuts.
  13. Place the second U-bolt around the pole and through the two holes at the bottom of the shelter.

---

## Two Yagi Antenna Combination Assembly

The Yagi and Yagi assembly should be performed from the bottom antenna (Yagi) up to the top antenna (Yagi) so that the Yagi antenna can be installed flush to the top of the pole.



---

Note: Be mindful of which antenna is to be the receiving antenna is and which is to be the transmitting antenna

---

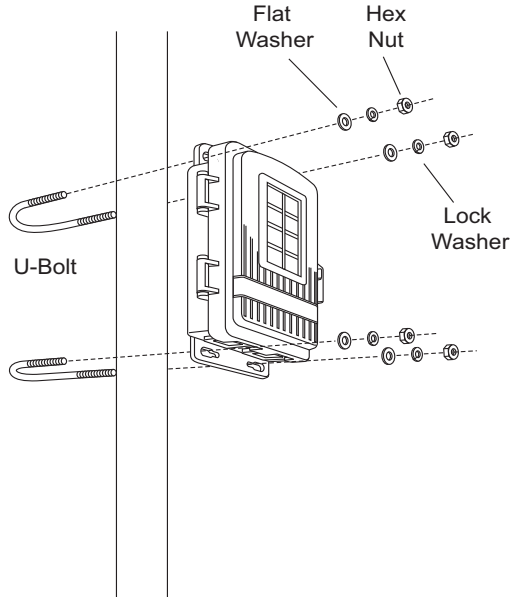
1. Place the Yagi on the pole in the general vicinity of the desired station/repeater/receiver.
2. Place a U-bolt around the pole and through the two holes at the top and of the antenna plate.
3. Place a flat washer, a lock washer and a hex nut on each of the bolt ends.
4. Using an adjustable wrench or 1/2" wrench, tighten the nuts.
5. Place the second U-bolt around the pole and through the two holes at the bottom of the shelter.
6. Put a flat washer, a lock washer, and a hex nut on each bolt end, and tighten the hex nuts so that the Yagi remains in place, but can still be adjusted.
7. If the first Yagi antenna is the receiving antenna, rotate it so that it points in the direction of the transmitting station (such as the ISS or a repeater). If it is the receiving antenna, rotate it so that it points at the receiver (such as a repeater or console).
8. Tighten the hex nuts so that the Yagi is firmly attached.
9. Rotate the second Yagi so that is points to the desired transmitter/repeater/receiver.
10. While holding the Yagi antenna in the correct alignment against the pole, place a U-bolt around the pole and through the two holes at the top and of the antenna plate.
11. Place a flat washer, a lock washer and a hex nut on each of the bolt ends.
12. Using an adjustable wrench or 1/2" wrench, tighten the nuts.
13. Place the second U-bolt around the pole and through the two holes at the bottom of the shelter.

---

## Installing a Repeater on a Pole

Refer to the following illustrations to install the repeater and antennas on a pole:

1. Place the repeater enclosure on the pole somewhere below the antennas that makes it easy for the antenna cables to be routed around. It should be below the second antenna.
2. Mount a repeater enclosure so that the solar panel receives the maximum amount of sunshine available at that location.
3. While holding the shelter against the pole close to the bottom, place a U-bolt around the pole and through the two holes on at the top of the shelter.
4. Place a flat washer, a lock washer and a hex nut on each of the bolt ends.
5. Using an adjustable wrench or 7/16" wrench, tighten the nuts.
6. Place the second U-bolt around the pole and through the two holes at the bottom of the shelter.
7. Put a flat washer, a lock washer, and a hex nut on each bolt end, and tighten the hex nuts.



---

## Connecting External Antennas to the Repeater

---

**Tip:** *It's important to be mindful of which antenna you have chosen to be the receiving antenna and which to be the transmitting antenna.*

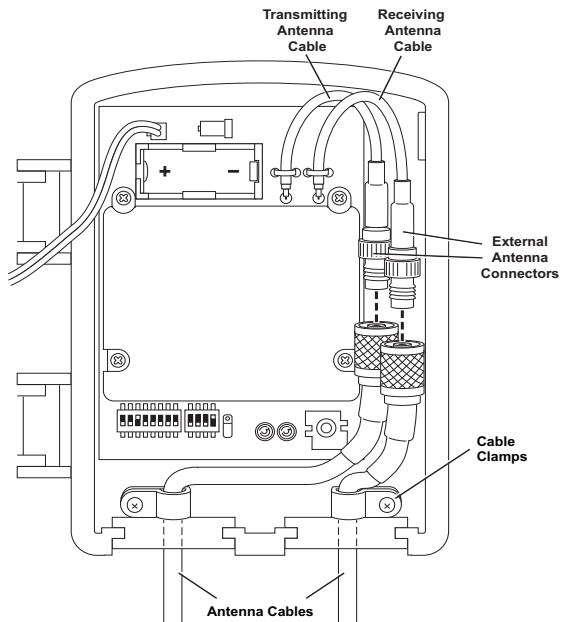
---

Once the repeater, and both external antennas have been attached to a pole and positioned, the antennas should be attached to the respective antenna cables in the wireless repeater enclosure. To do this:

1. Thread each antenna cable into the individual black cable grommets at the bottom of the shelter to provide weather-resistant entrances for cables. Make sure that there is one antenna cable per grommet.

For identification purposes, the transmitting antenna cable should be threaded through the grommet on the left side and the receiving cable on the right side to align with the antenna cable connectors on the repeater board.

2. Unscrew the cable clamps and thread each antenna cable through.



3. Connect the transmitting antenna cable to the transmitting repeater connector.
4. Connect the receiving antenna cable to the receiving repeater connector.
5. Once all the antennas are mounted and connected to the repeater, test communication.

---

## Specifications

Complete specifications for all of the Vantage Pro2 weather products as well as the wireless repeater are available in the Weather Support section of our website:

<http://www.davisnet.com/support/weather/>

### General

Operating Temperature . . . . . -40 to 150° Fahrenheit (-40 to 65° Celsius)  
Non-Operating Temperature . . . . . -40 to 150° Fahrenheit (-40 to 65° Celsius)  
Current Draw . . . . . 1.5 mA at 4-6 VDC (average draw when not in  
Test Mode and receiving from one transmitter)  
Batteries . . . . . CR 123A 3-volt lithium battery  
Battery Life Estimates (with no solar or AC power input):

# of IDs*	Estimated Life Expectancy (Months)
1	4
4	1.5
8	<1

*\*Both received directly by the repeater and those IDs repeated from the previous repeater in a chain.*

---

Note: Battery life in excess of two years is expected with normal solar input.

---

Solar Panel . . . . . 0.5 Watts  
Alternate Power . . . . . AC power adapter  
Housing Material . . . . . UV-resistant PVC plastic  
Dimensions . . . . . 6.25" x 2.25" x 7.88" (159 mm x 57 mm x 200 mm)  
Weight . . . . . 1.188 lb. (.539 kg)

### Transmit Interval

Repeater Transmit Interval . . . . . 2.5625 - 3.0000 seconds depending on ID

### Wireless Communication (US models)

Transmit/Receive Frequency . . . . . 902-928 MHz FHSS  
ID Codes Available . . . . . 8  
Output Power . . . . . 902-928 MHz FHSS: FCC-certified low power,  
less than 8 mW, no license required

Type	Gain
Omnidirectional Antenna (#7656)	5 dBi
Yagi Antenna (#7660)	11 dBi

### Range

Line of Sight . . . . . up to 2 miles (3 km) depending on antenna pair

---

## Wireless Communication (OV, EU, UK models)

Transmit/Receive Frequency . . . . . 868.0 - 868.6 MHz FHSS (Frequency Hopping Spread Spectrum)  
ID Codes Available . . . . . 8  
Output Power . . . . . 868.0 - 868.6 MHz FHSS. CE-certified, less than 8 mW, no license required. Antenna gain can not exceed 8 dBi maximum and no more than four transmitter IDs to comply with the EN 300 220 regulation.  
Range  
Line of Sight . . . . . up to 1.5 km (5000'), assuming a pair of 8 dBi antennas

## Contacting Davis Technical Support

For questions about installing or operating your Long-Range Repeater, please contact Davis Technical Support. We'll be glad to help.

<b>(510) 732-7814</b>	Monday - Friday, 7:00 A.M. to 5:30 P.M., Pacific Time. We are unable to accept collect calls.
<b>(510) 670-0589</b>	Technical Support Fax.
<b>support@davisnet.com</b>	E-mail to Technical Support.
<b>info@davisnet.com</b>	General e-mail.
<b>www.davisnet.com</b>	Davis Instruments website. See the Weather Support section for copies of manuals, product specifications, application notes, and information on software updates. Watch for FAQs and other updates.

---

### Vantage Pro2™ Long Range Wireless Repeater Addendum

Rev. C, July 1, 2014

Document Part Number: 07395.258

For Vantage Pro2 Long Range Wireless Repeater: 7654

Compatible with Vantage Pro2 Antennas: 7656, 7660

Vantage Pro2™, Vantage Vue®, Vantage Connect®, Weather Envoy™ and Envoy8X™ are trademarks of Davis Instruments Corp., Hayward, CA.

© Davis Instruments Corp. 2014. All rights reserved.

Davis Instruments Quality Management System is ISO 9001 certified.

Information in this document subject to change without notice.



3465 Diablo Avenue, Hayward, CA 94545-2778 U.S.A.

510-732-9229 • Fax: 510-732-9188

E-mail: info@davisnet.com • www.davisnet.com